



پایه های مدور و مشبک برق عراق

# TUBULAR & LATTICE STEEL POLES IRAQI

اعمدة الكهرباء



## SPECIFICATION FOR TUBULAR STEEL POLES LENGTH ( 9 & 11 ) m

Effective length of pole	9 meters
Length of top section	2 meters
Outside diameter of top section	89.1 mm
Length of middle section	2.3 meters
Outside diameter of middle section	114 mm
Length of bottom section	4.7 meters
Outside diameter of bottom section	139 mm
Planting depth	1.5 meters
Working load	210 Kgf
Point of application of load	60 cm below top
Allowable bending stress: - For STK – 37 & 44 , steel & 52 or equivalent	20.4 Kgf / mm <sup>2</sup>
Wall thickness (t) of the poles must be: -	t >4.5 & 5.0 mm

Effective length of pole	11 meters
Length of top section	2.5 meters
Outside diameter of top section	114.3 mm
Length of middle section	3.0 meters
Outside diameter of middle section	139 mm
Length of bottom section	5.5 meters
Outside diameter of bottom section	165 mm
Planting depth	2 meters
Working load	285 Kgf
Point of application of load	120 cm below top
Allowable bending stress: - For STK – 37 & 44 , steel & 52 or equivalent	20.4 Kgf / mm <sup>2</sup>
Wall thickness (t) of the poles must be: -	t >4.5 - 5 & 5.5 mm



Isfahan-Iran

0098 913 833 3011 - 0098 313-6633988

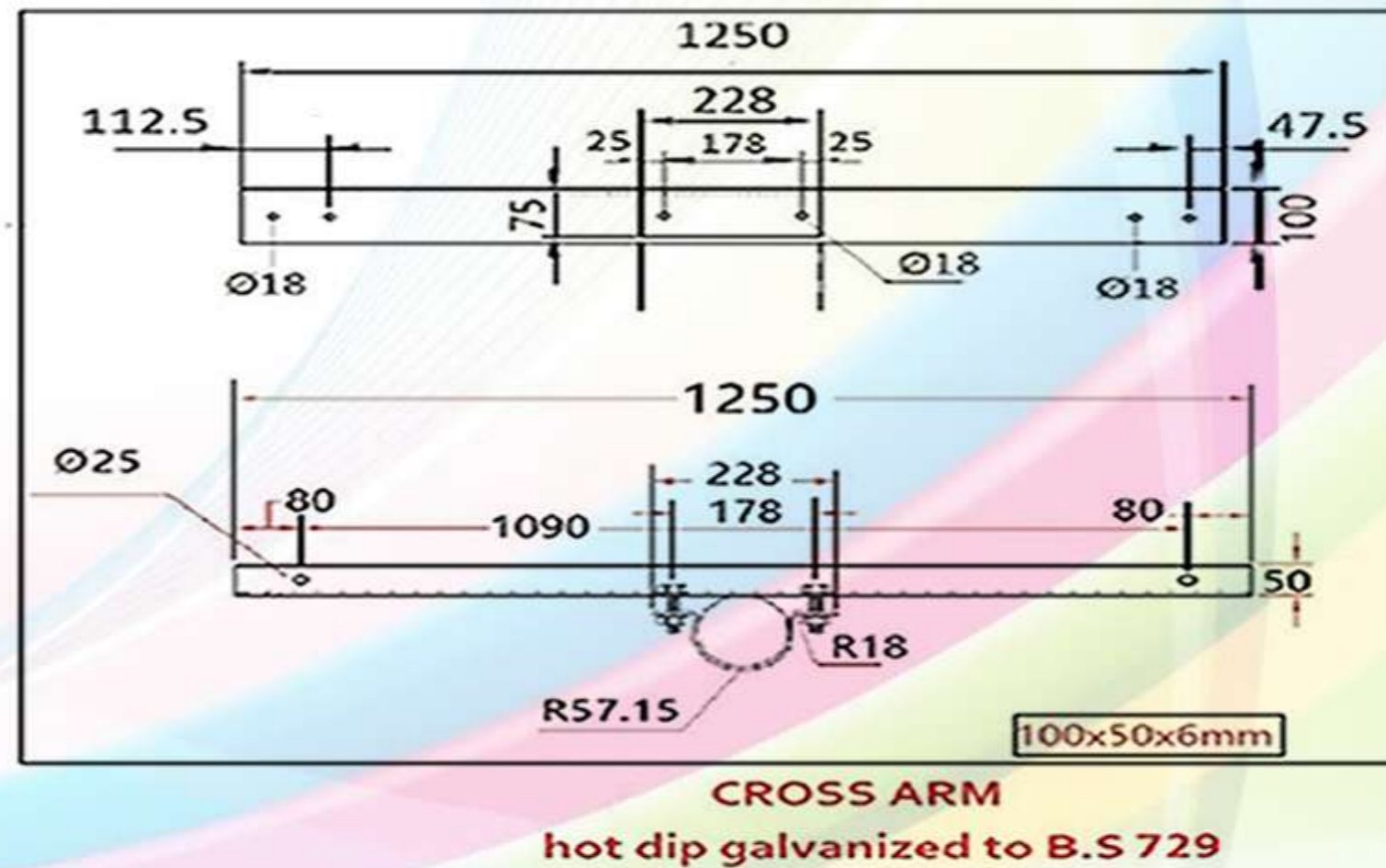
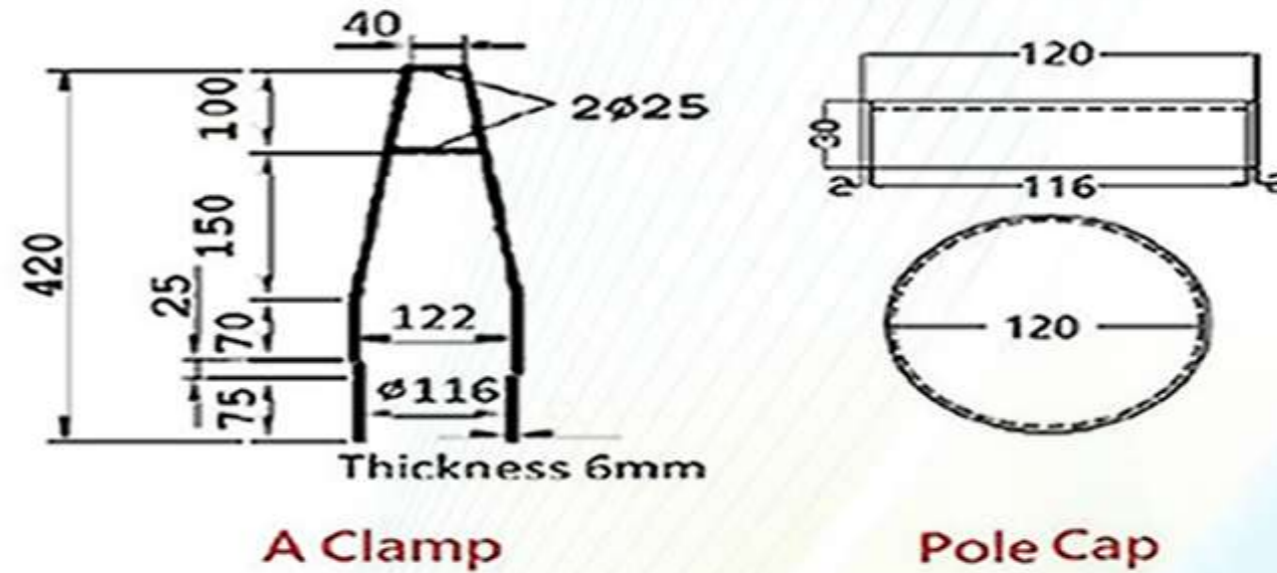
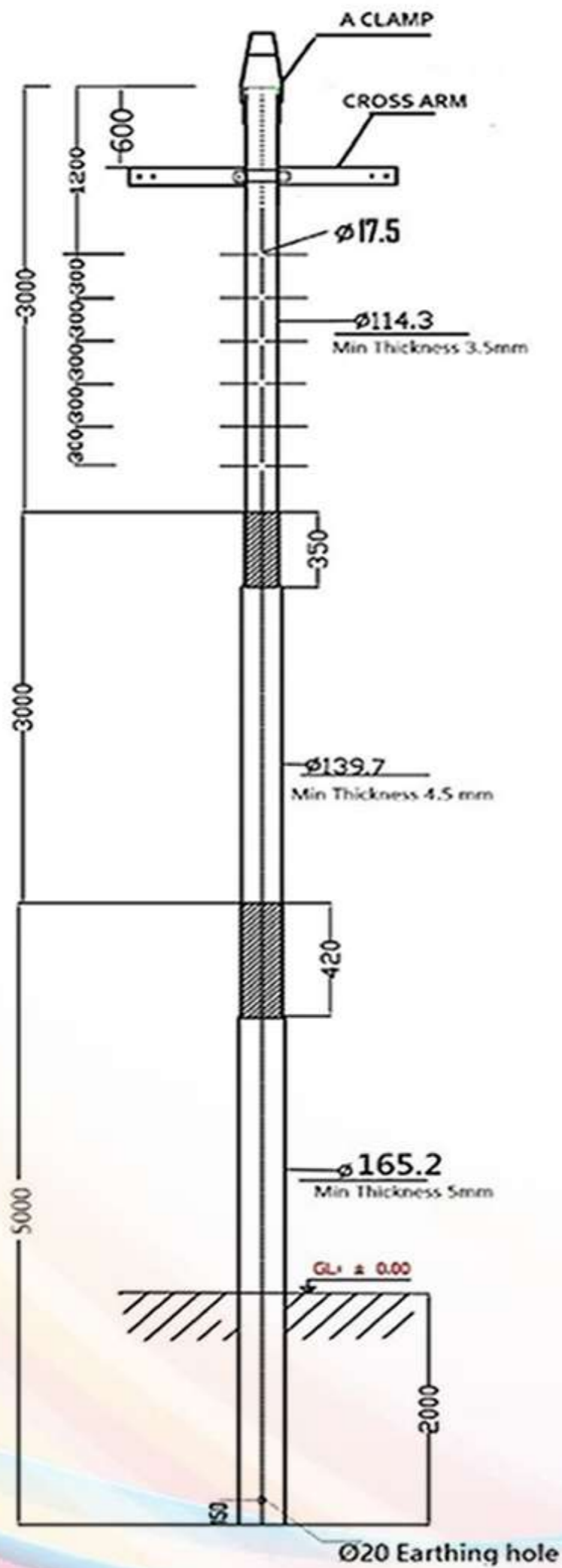
[www.iranpmg.ir](http://www.iranpmg.ir)

# Technical Specification of Tubular Steel Poles for Suspension

Ministry of Electricity  
Power Distribution Office  
Baghdad – Iraq

11m Pole

Specification No. D-22



Note:-  
Steel Grid:  
STK-51GIS  
ST-52 DIN  
all diameters are in millimeters

[www.iranpmg.ir](http://www.iranpmg.ir)

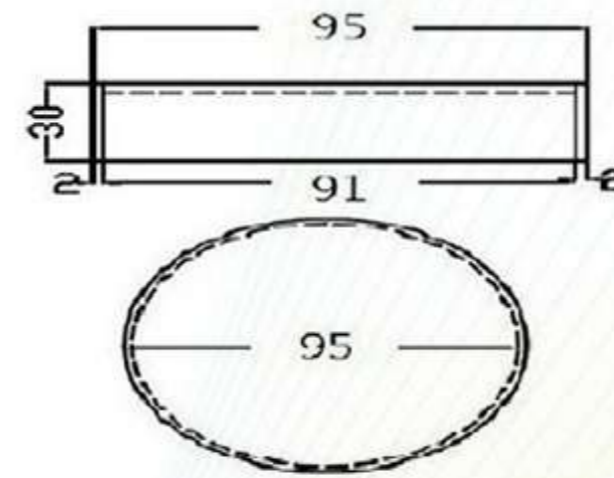
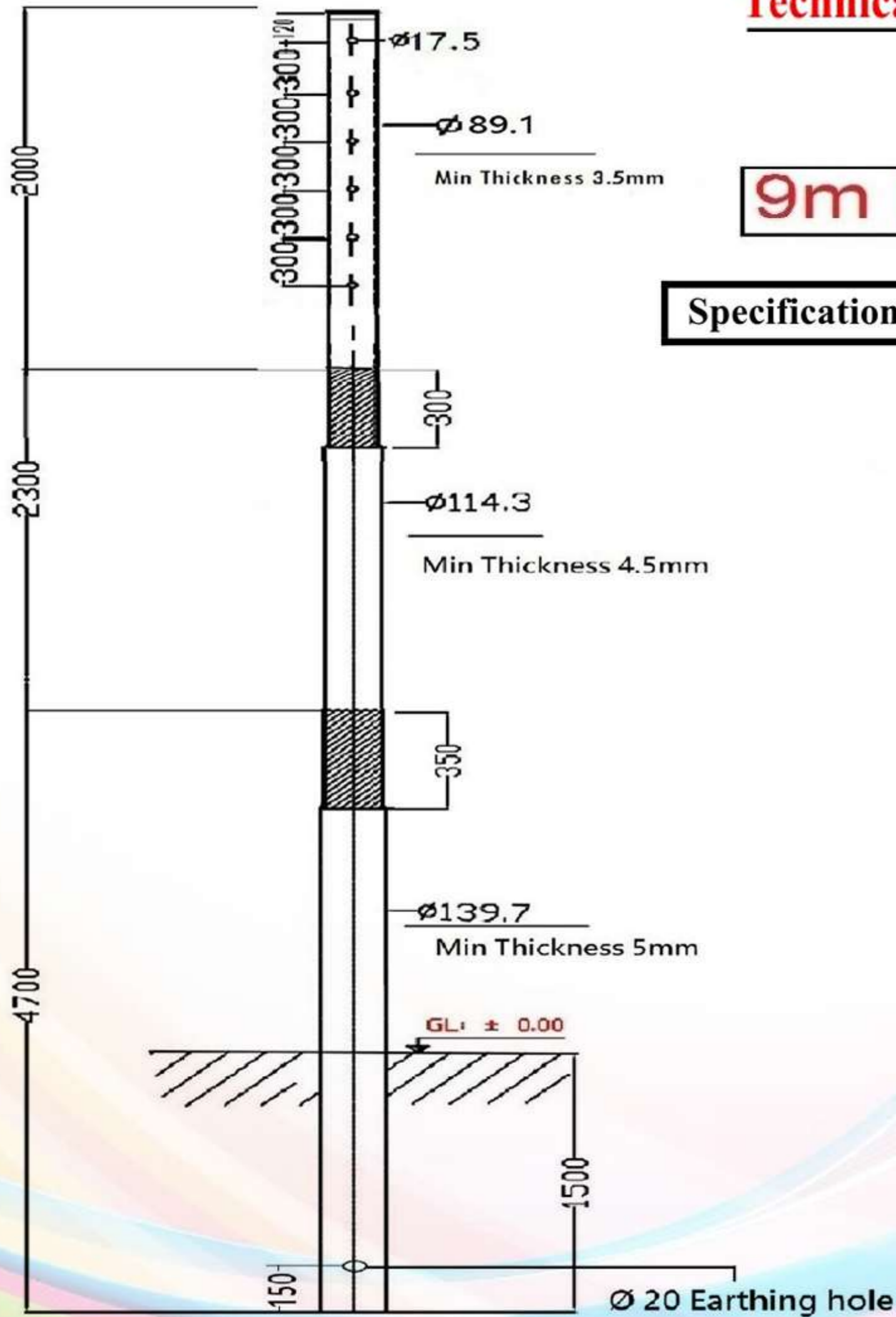
Drawing (No.1) 11m Tubular Steel Poles with accessories

# Technical Specification of Tubular Steel Poles for Suspension

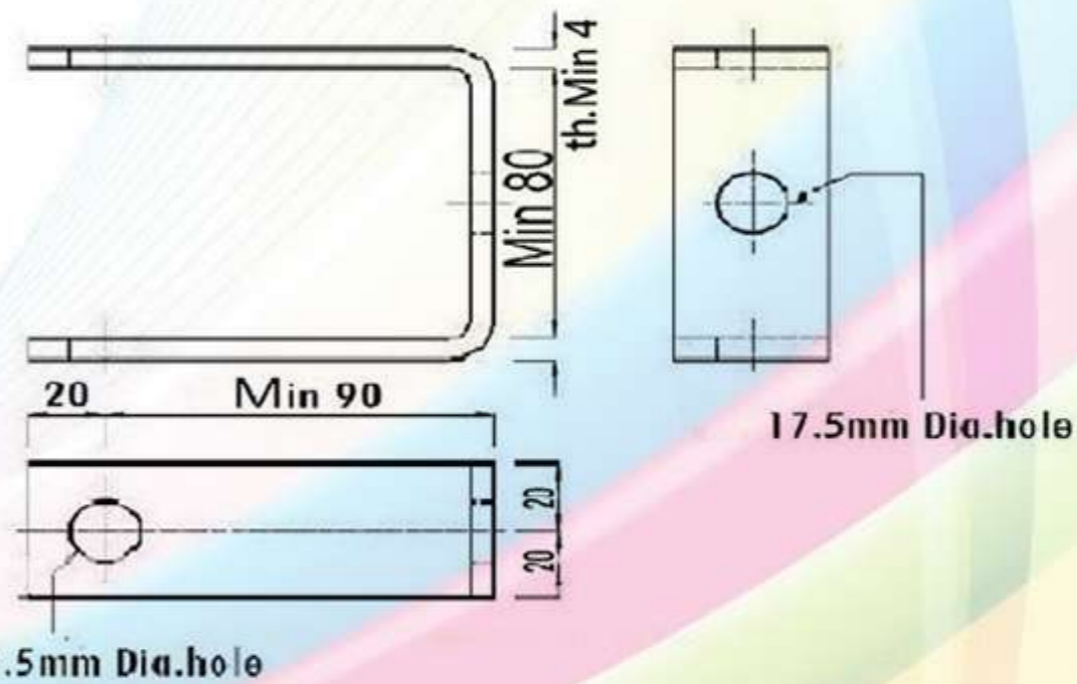
Ministry of Electricity  
Power Distribution Office  
Baghdad – Iraq

**9m Pole**

Specification No. **D-22**



**POLE CAP**



**D-iron Bracket**  
hot dip galvanized to B.S 729

Note:-  
Steel Grid:  
STK-51GIS  
ST-52 DIN  
all dimensions are in millimeters

[www.iranpmg.ir](http://www.iranpmg.ir)

**Drawwing (No.2) 9m Tubular Steel Poles with accessories**





**IRAN - ISFAHAN**

**[www.iranpmg.ir](http://www.iranpmg.ir)**

**[iranpmg@yahoo.com](mailto:iranpmg@yahoo.com)**

**0098 313-6633988 - 00989138333011 - 09133269748**